



WATER HEATER SWP

with increased heat exchanger surface for higher efficiency

Suitable for space heating, solar water heating and heat pump systems with large number of consumers.

Product Features

CFC free hard PU-foam insulation with thickness of 50 mm and aesthetic PVC coating in RAL 9006 or other colors on demand

Storage tank made of low-carbon steel with titanium enamel in accordance with DIN 4753-3

Magnesium anode for cathodic corrosion protection in accordance to DIN 4753-6

Inspection opening Ø180

All threads are internal

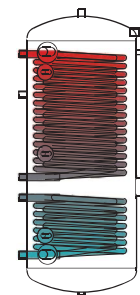
Large-sized (1") sleeves of heat exchangers to facilitate flow

Coils with increased heat exchanger surface for maximum efficiency

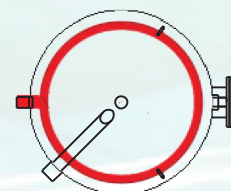
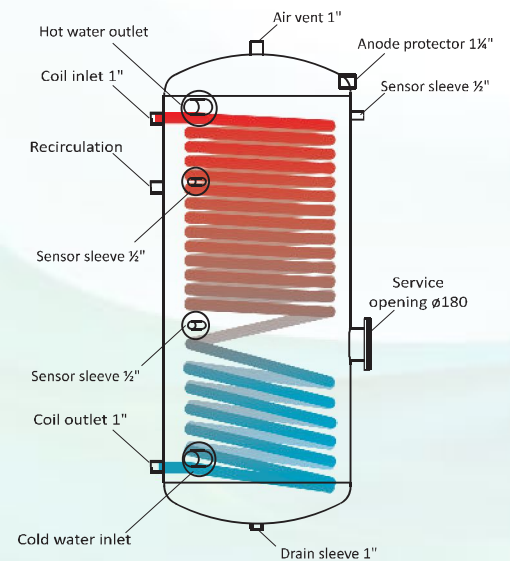
Compressive strength
Tank: 10 bar; Heat exchanger: 16 bar

Thermometer gauge

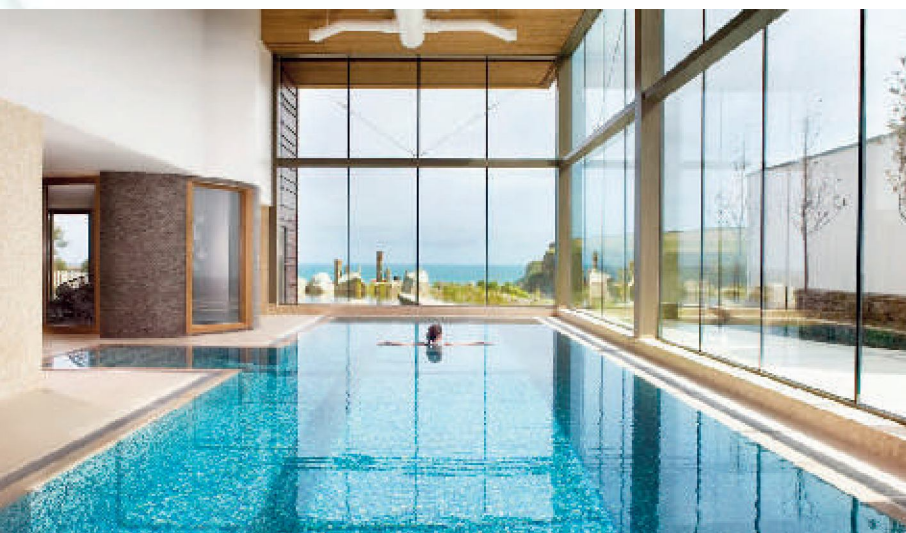
Thermoregulator and heating element as a back-up source of heat are available as an option



model SWP2

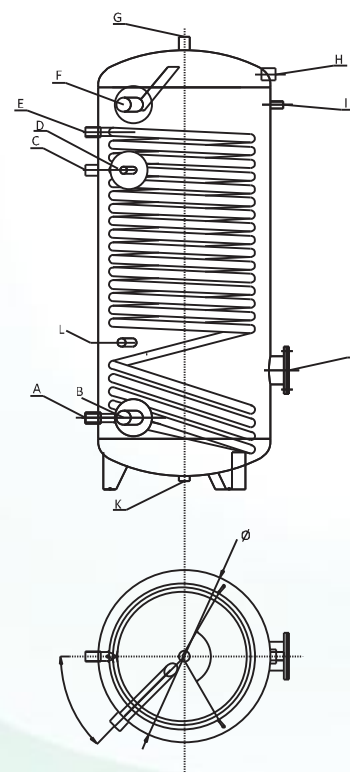


model SWP



Technical specification:

Model		SWP 150	SWP 200	SWP 300	SWP 400	SWP 500	
Volume	l	150	200	300	400	500	
Height H	mm	1070	1340	1420	1470	1720	
Diameter D	mm	ø 560	ø 560	ø 660	ø 750	ø 750	
Operating pressure / max. temperature	bar/°C	10/95	10/95	10/95	10/95	10/95	
Testing pressure of tank	bar	15	15	15	15	15	
Coil	Heat-exchanger surface	m ²	1.4	1.9	2.3	2.8	3.3
	Prolonged power according to DIN 4708; 80/45/10 °C	kW m ³ /h	40.4 0.99	51 1.25	62 1.52	75 1.84	84 2.06
	NL – power coefficient at 60°C		6	8	20	27	34
	Pressure drop Δp	mbar	120	150	400	600	710
Operating pressure / max. operating temperature of coil	bar/°C	16/110	16/110	16/110	16/110	16/110	
Testing pressure of coil	bar	25	25	25	25	25	
Thermometer		✓	✓	✓	✓	✓	
Coil outlet 1"	A	182	182	215	270	270	
Cold water inlet	B	182-1"	182-1"	215-1"	270-1¼"	270-1½"	
Recirculation	C	652-¾"	922-¾"	1007-¾"	1105-1"	1206-1"	
Sensor sleeve ½"	D	697	967	1054	1054	1206	
Coil inlet 1"	E	872	1122	1155	1210	1350	
Hot water outlet	F	895-1"	1160-1"	1182-1"	1240-1¼"	1453-1½"	
Air vent 1"	G	1070	1340	1410	1460	1710	
Anode protector 1¼"	H	1070	1340	1410	1318	1568	
Sensor sleeve ½"	I	868	1138	1170	1152	1453	
Service opening ø180	J	309	309	320	450	450	
Drain sleeve 1"	K	30	30	30	30	30	
Sensor sleeve ½"	L	410	410	430	560	560	
Weight	kg	71	92	132	145	175	



NES Ltd.

12 Madara Blvd, 9700 Shumen, Bulgaria
 tel: +359 54 874 546, fax: +359 54 874 556
 e-mail: ftrade@sunsystem.bg
www.sunsystem.bg

Distributor: